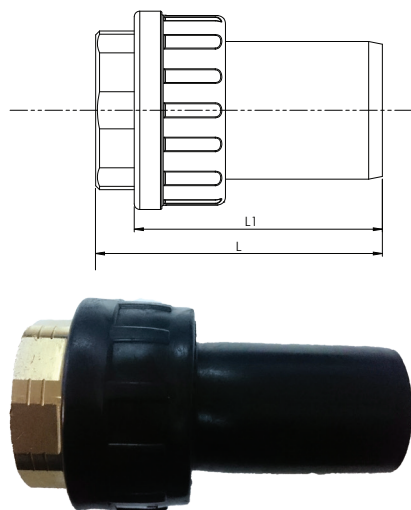
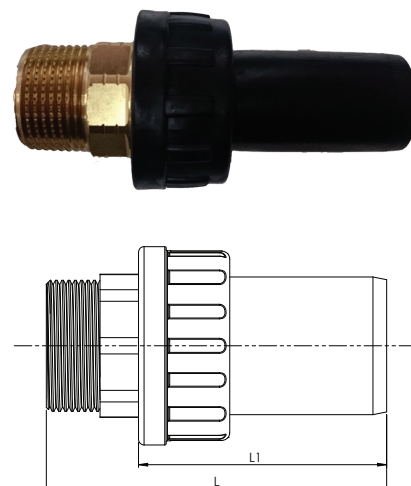


BRASS/PE THREADED TRANSITION FITTINGS

Manufactured to: AS/NZS 4129
20-110mm - PN16 WATER- SDR11 - PE100

www.pca.net.au

PART NO	Size (mm)	MALE BSP THREAD (Inch)	L (mm)	L1 (mm)
MTPB1020	20	1/2"	90	60
MTPB1025	25	3/4"	95	65
MTPB1032	32	1"	105	80
MTPB1040	40	1 1/4"	120	85
MTPB1050	50	1 1/2"	120	85
MTPB1063	63	2"	135	100
MTPB1090	90	3"	170	120
MTPB1110	110	4"	205	130



PART NO	Size (mm)	FEMALE BSP THREAD (Inch)	L (mm)	L1 (mm)
MTPB2020	20	1/2"	70	60
MTPB2025	25	3/4"	80	65
MTPB2032	32	1"	90	80
MTPB2040	40	1 1/4"	100	85
MTPB2050	50	1 1/2"	100	100
MTPB2063	63	2"	115	100
MTPB2090	90	3"	145	120
MTPB2110	110	4"	160	130

MADE IN AUSTRALIA

*Standard dimensions shown only. Other sizes and specifications are available upon customer request.
Finishes include either threaded ends or plain ends - Other material options include DZ Brass - Steel - Stainless Steel.

PIPE COUPLINGS (A/ASIA) PTY LTD • WWW.PCA.NET.AU
16 Britton St Smithfield • NSW 2164 • SYDNEY • AUSTRALIA • tel: +61 (0)2 8788 5588 • fax: +61 (0)2 9604 0190



sales@pca.net.au

